



Acme Sanitary Ware Co Ltd

Acme Building, 22-28 Nanking Street, Kowloon, Hong Kong
 Tel: 2388 7171 Fax: 2710 8012
 E-mail: acme@acmesanitary.com.hk
 Website: www.acmesanitaryware.com.hk

American Standard

PROJECT		REF		REV	ITEM CODE	
LOCATION		DATE			PAGE	

SANITARY WARE SPECIFICATION SHEET

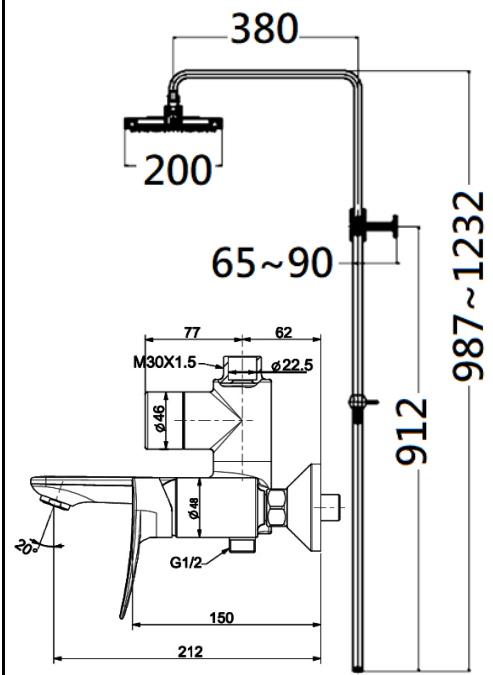
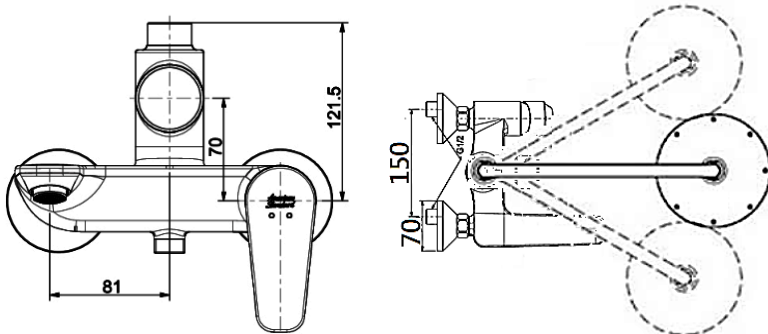
Item Descriptions	American Standard (PRC) "Milano" chrome plated exposed bath & Rain Shower mixer with "Moonshadow" chrome plated rainshower system, D200AS comprising 200mm diameter rainshower & 3 functions hand shower 1582300550/ 1582302650 with nominated flow rate 8.2 and 7.9 L/min in WELS Grade 1	Illustration/ Drawing
Model	CF-9081.000.50 (Rain Shower System) CF-0972.702.50 (Mixer)	
Finish	Chrome Plated	
Manufacturer	American Standard (PRC)	
Source	Acme Sanitary Ware Co. Ltd Mr. Eric Wong / Mr. Wilson Hung	
Contact Tel/Fax	(852) 2388-7171 / (852) 2710-8012	
E-mail Website	acme@acmesanitary.com.hk www.acmesanitary.com.hk	

Rain Shower 1582300550

Dynamic flow pressure (kPa)	50	150	250	350	500
Flow rate (l/min)	3.90	6.88	8.30	9.30	10.50

Hand Shower 1582302650

Dynamic flow pressure (kPa)	50	150	250	350	500
Flow rate (l/min)	3.55	7.28	8.28	8.18	8.28



Note: Same product but different model no:

WF-0972.702.50 (PRC) or FFAS0972-702500BC0 ; (equivalent to FF1-CN521H00000009/ FF1-CN521H00000028)

* All information of the above is the reference only. No prior notice is made if any changes.




自願參與用水效益標籤計劃 - 沐浴花灑
Voluntary Water Efficiency Labelling Scheme - Showers for Bathing



茲證明
This is to certify that

將下列花灑在本計劃內註冊：
has registered the following shower under this scheme :

牌子 / Brand	:	American Standard
型號 / Model	:	1582300550
原產地 / Country or Region Origin	:	China

在用水效益標籤上展示的標誌 <i>Symbolic Presentation on the Water Efficiency Label</i>	:	 滴水點 <i>Water droplet(s)</i>
用水效益級別 <i>Water Efficiency Grade</i>	:	1
耗水量 <i>Water Consumption</i>	:	8.2 公升/分鐘 <i>litres/minute</i>

簽發日期:
Date of Issue: 7 December 2018

 水務署
Water Supplies Department



水務署署長(黃恩諾代行)
for Director of Water Supplies

註冊號碼 (Registration No.): SB 18-0238




自願參與用水效益標籤計劃 - 沐浴花灑
Voluntary Water Efficiency Labelling Scheme - Showers for Bathing



茲證明
This is to certify that

將下列花灑在本計劃內註冊：
has registered the following shower under this scheme :

牌子 / Brand	:	American Standard
型號 / Model	:	1582302650
原產地 / Country or Region Origin	:	China

在用水效益標籤上展示的標誌 <i>Symbolic Presentation on the Water Efficiency Label</i>	:	 滴水點 <i>Water droplet(s)</i>
用水效益級別 <i>Water Efficiency Grade</i>	:	1
耗水量 <i>Water Consumption</i>	:	7.9 公升/分鐘 <i>litres/minute</i>

簽發日期: 7 December 2018
Date of Issue:

 水務署
Water Supplies Department



水務署署長(黃思諾代行)
for Director of Water Supplies



水務署
Water Supply



香港灣仔告士打道
Immigration Tower, 7 ... g Kong

電子郵遞
e-mail wsdinfo@wsd.gov.hk

圖文傳真
Facsimile 2824 0578

檔號
Reference (2) in WSD 3321/18 Pt.1 T/J(333)

4 May 2018

Dear Sir,

Approval of "AMERICAN STANDARD" Bath/Shower Mixers

Your letter ref. WRC/1679 dated 29 March 2018 refers.

Having considered the test report ref. J21676 issued on 12 March 2018 by Nutek Systems (HK) Ltd., this Authority accepts that the fittings described below comply with, and their use when correctly installed does not contravene, the Waterworks Ordinance and Regulations.

Name of Manufacturer: American Standard

Country of Origin: China

Brand: American Standard

Details of Fittings: 1/2" Single lever bath and shower mixer

Model: CF-0972.70X.50
WF-0972.70X.50
(where "X" denotes the code of handle)

Body Markings: *American Standard*

Expiry Date:

27 July 2022

This Authority hereby permits the use of the above fittings in fresh water plumbing systems subject to full adherence to Waterworks installation requirements. In particular, you are required to draw your customers' attention to the following requirement-

"The cold water supply to the fittings shall be drawn from the same source that supplies the hot water apparatus so as to provide a balanced pressure and to obviate the risk of scalding in the event of a restriction or failure in the water supply." AND

"The shower head or handspray should not be placed in submerged conditions and should be securely fixed to the original position after use."

A condition of this acceptance is that the fittings to be installed shall be replicas of the samples as certified by the testing agent mentioned above and without modifications. This acceptance may be withdrawn at any time if the standard of the fittings installed fails to meet that of the approved samples or if the fittings are found to be unsuitable for use in fresh water plumbing systems.

This acceptance is only applicable to the main body of the fittings, unless other specified.

For the use of the fittings in any project, the Acceptance Reference Number at the bottom of this letter must be quoted as a means of identification of acceptance of the fittings by this Authority.

Should you have any enquiries, please contact our Engineer Mr. Terry KUNG at tel. no. 3583 4086.

Yours faithfully,



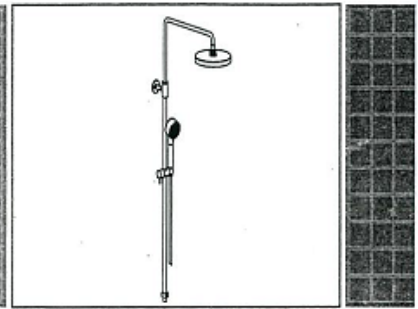
(CHAN Chung Kun)
for Water Authority

c.c. WSD 3321/1/82] - without catalogue
 ME/MC] - with soft copy only

American Standard

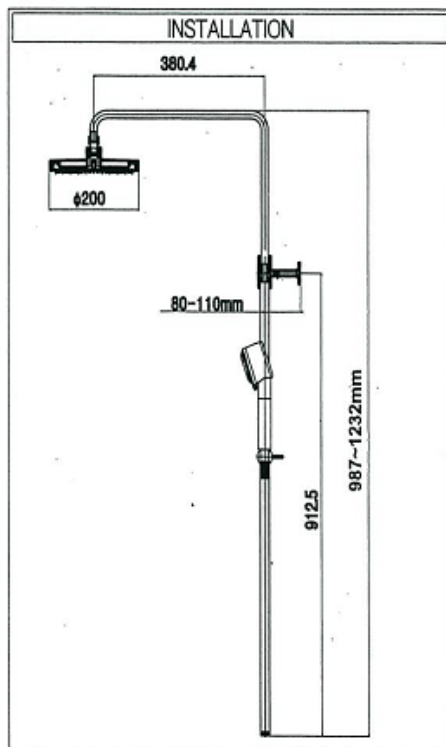
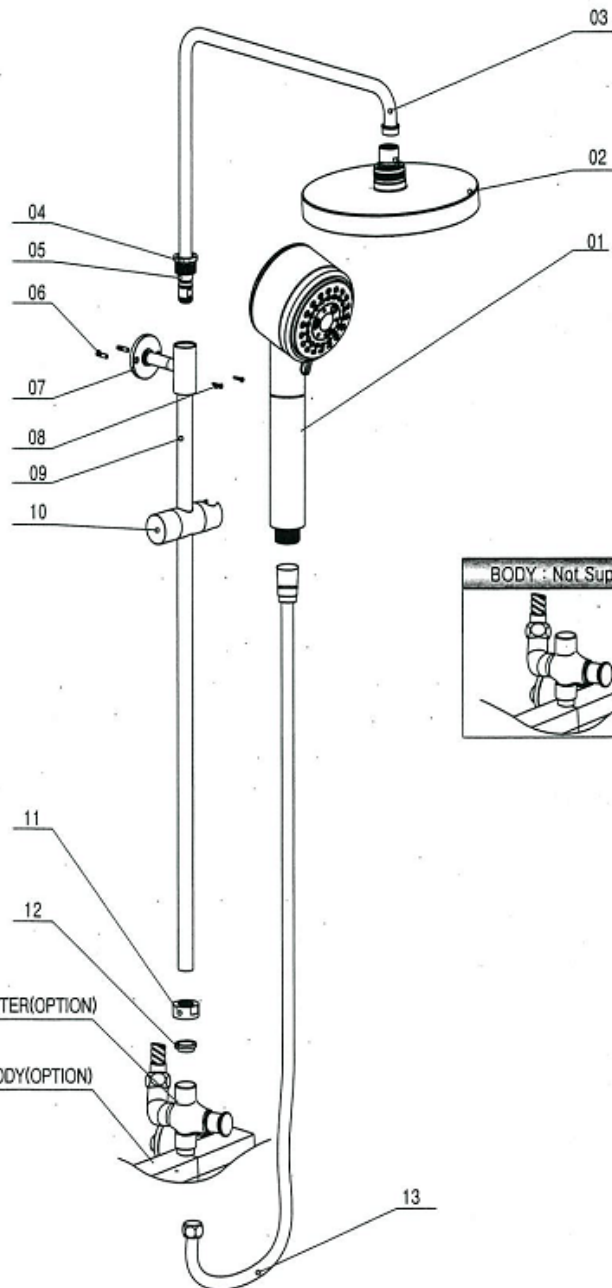
Moonshadow D200

RAIN SHOWER WITH FAUCET Installation & Operation Instruction



■ Moonshadow D200

Part list		
No.	Name	Qty:
01	HAND SHOWER	1
02	SHOWER HEAD	1
03	SHOWER ARM	1
04	FIXING NUT	1
05	RING	1
06	WALL PLUG	2
07	FIXING BRACKET	1
08	SCREW	2
09	PIPE	1
10	SLIDER	1
11	NUT	1
12	SEALING	1
13	METAL HOSE(L=1500mm)	1



To ensure that your installation proceeds smoothly, please read this instructions carefully before you begin.



1. CHECK EVERY COMPONENT BEFORE INSTALLATION

- After you open this package, please check the components in accordance with the Part list
- Whether any shortage, please contact the local agent or our company immediately.

2. RECOMMEND TOOLS & MATERIALS

- Spanner, Inner Hexangular Spanner, Phillips Screwdriver, Drill, Sink, Safety Glasses.

3. INSTALLATION INSTRUCTION

1 Befor Installation

- Thank you for using our high quality products. The product has been passed the functionality test before ex-factory, please do not disassemble by yourself at will.
- The working pressure of this product is 1.5kgf/cm²~7.5kgf/cm². The best water pressure is 2.0kgf/cm²~5.0kgf/cm².
- Please be careful of your security while drilling and installing.
- To use rain shower system is need to be body.

Warning: Please ensure there are no hidden service pipes and cables where you intend to drill.

Declare: We reserve the rights to alter the structure of the product without any notice.

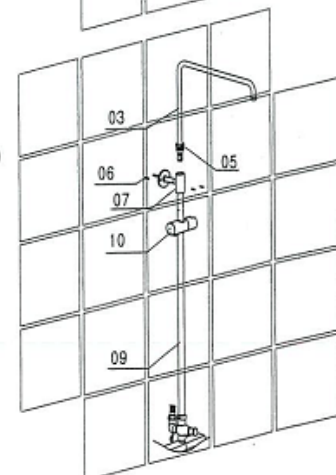
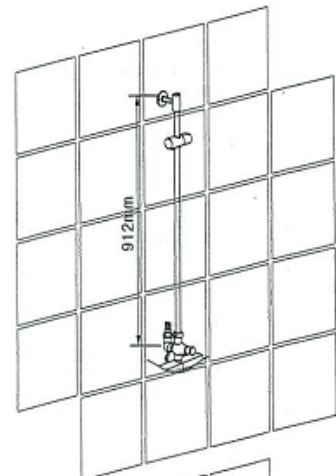
It must use with body of American standard.

2 Drill the fixing bracket hole

- Before Drill on the wall, check height between FIXING BRACKET and Body.
- As right drawing, draw the FIXING BRACKET position on the wall.
- Drill two $\Phi 6$ mm holes in the wall. The depth of holes should be 35mm.

3 Assemble the both tubes

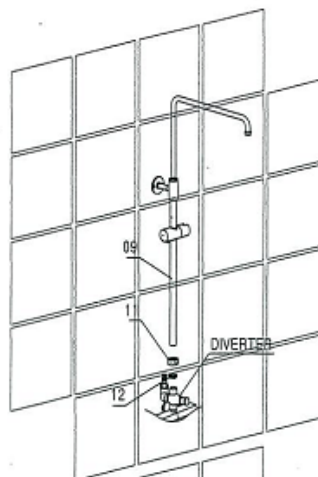
- Take the SHOWER ARM (03). Adjust the direction of SHOWER ARM (03) and the above FIXING BRACKET (07) as right drawing, then put the SHOWER ARM into the above FIXING BRACKET.
- Fix the SCREW (08), which locate in the above FIXING BRACKET (07), make sure the SHOWER ARM(03), PIPE(09) and above FIXING BRACKET (07) are firmly fixed





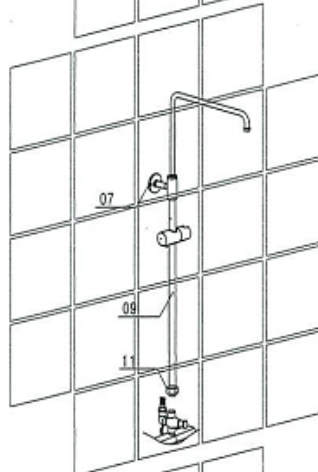
4 Connect pipe to diverter of faucet

- Assemble the NUT S/A(11) with PIPE(09) to area of DIVERTER
- Fix the NUT S/A(11) using spanner.



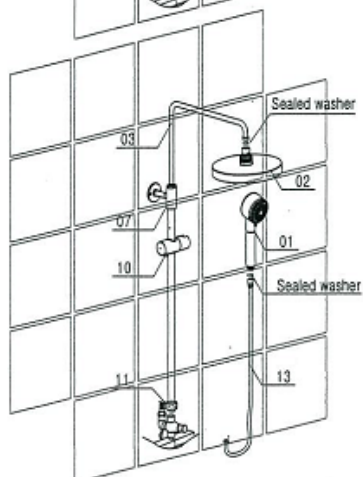
5 Adjust distance of fixing bracket

- It can be adjusted distance between wall and center of diverter by fixing bracket
- Notice that adjust distance Min 80mm to Max 110mm by fixing bracket



6 Install the hand shower, shower head and metal hose.

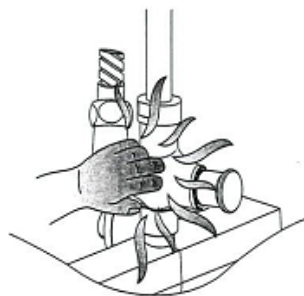
- Put washers into the METAL HOSE(13). Connect the METAL HOSE(13) with the HAND SHOWER (01) and the hex-nut of hose with the elbow of diverter. Set the hand shower into the SLIDER(10).
- Put the sealed washer into tie-in of the SHOWER HEAD (02). Connect the SHOWER HEAD (02) and the SHOWER ARM (03).



• Check up every step to ensure the stability and tightness to avoid any leaking before testing the shower spray.

4. CAUTION

- When you use Hot water, Please be careful Hot water comes out from Shower head



5. DIRECTION FOR USE.

1 Diverter valve

- The diverter valve controls the shower head and hand shower.
- Pull up the diverter valve handle, the water sprays from hand shower will work.
- Press down the diverter valve handle, the water sprays from shower head will work

2 Turn the control pole of slider (10), adjust the height of the slider to meet your demand.

Warning : When you are showering, please turn on the cold water at first, which can avoid burning accident especially to children and the elder.

6. MAINTENANCE

- Keep the product clean with clean water or mild liquid detergent regularly.
- Rinsed with clean water, and wipe with cotton cloth to dry.
- Acid or abrasive detergents are prohibited

7. Term of Guarantee

- This warranty shall be effective from date of purchase as shown on purchaser's receipt. we guarantee for 1 year, after purchasing product.
- Except :
Trouble caused by disasters or user's carelessness.
If leakage is caused by connection problem with 3rd party products or non approved parts.
In the following cases, service fee will be charged even within the warranty period.
 - Any damages caused by improper installation
 - Any damages caused by carelessness of users or natural disasters
 - Any damages caused by using the product with improper parts or products from other companies